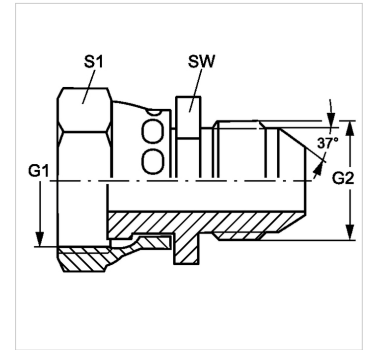


# G AJF HJ

## Connectors

### Properties

<b>Connection 1</b>	ORFS nut threads
<b>Sealing form 1</b>	Flat seal
<b>Connection 2</b>	UN/UNF external threads
<b>Sealing form 2</b>	74° outer cone
<b>Design</b>	Connectors
<b>Construction</b>	straight
<b>Material</b>	Steel
<b>Surface</b>	electro galvanised



### Item

Identification	G1	G2	AF (mm)	S1
G AJF 04 HJ	9/16"-18 UNF	7/16"-20 UNF	17	19
G AJF 06 HJ	11/16" -16 UN	9/16"-18 UNF	19	22
G AJF 08 HJ	13/16" -16 UN	3/4" -16 UNF	22	24
G AJF 10 HJ	1" -14 UNS	7/8" -14 UNF	27	30
G AJF 12 HJ	1.3/16" -12 UN	1.1/16" -12 UN	32	36
G AJF 16 HJ	1.7/16" -12 UN	1.5/16" -12 UN	41	41

SW, S1, S2, S3 = With across flats